

For best performance...

USE ONLY McCONNEL SERVICE PARTS

To be assured of the latest design improvements purchase your 'Genuine Replacements' from the Original Equipment Manufacturer: McCONNEL Ltd. through your local Dealer or Stockist.

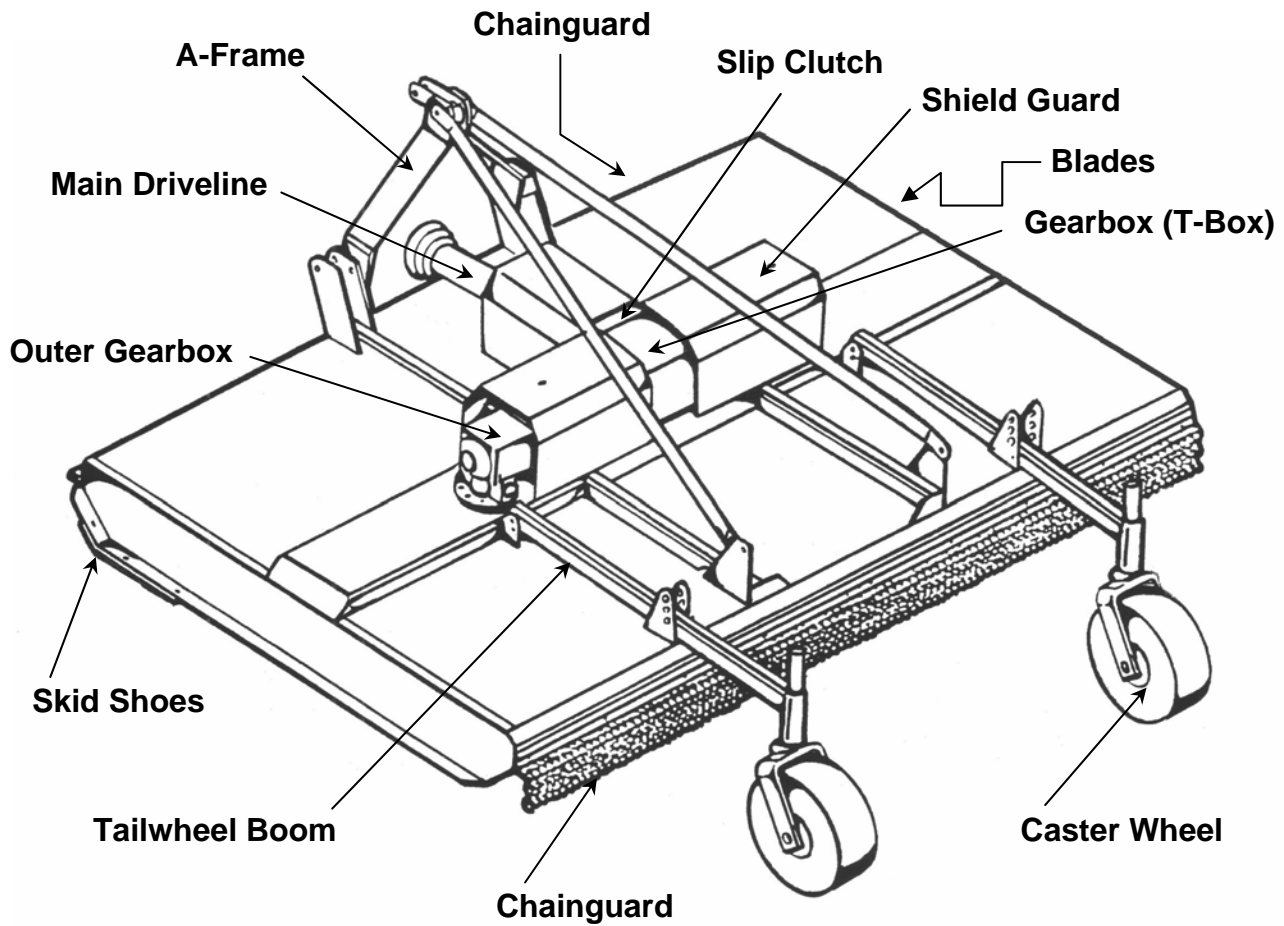
Always quote:

- *Machine Type*
- *Serial Number*
- *Part Number*

Design Improvements may have altered some of the parts listed in this manual – The latest part will always be supplied when it is interchangeable with an earlier one.

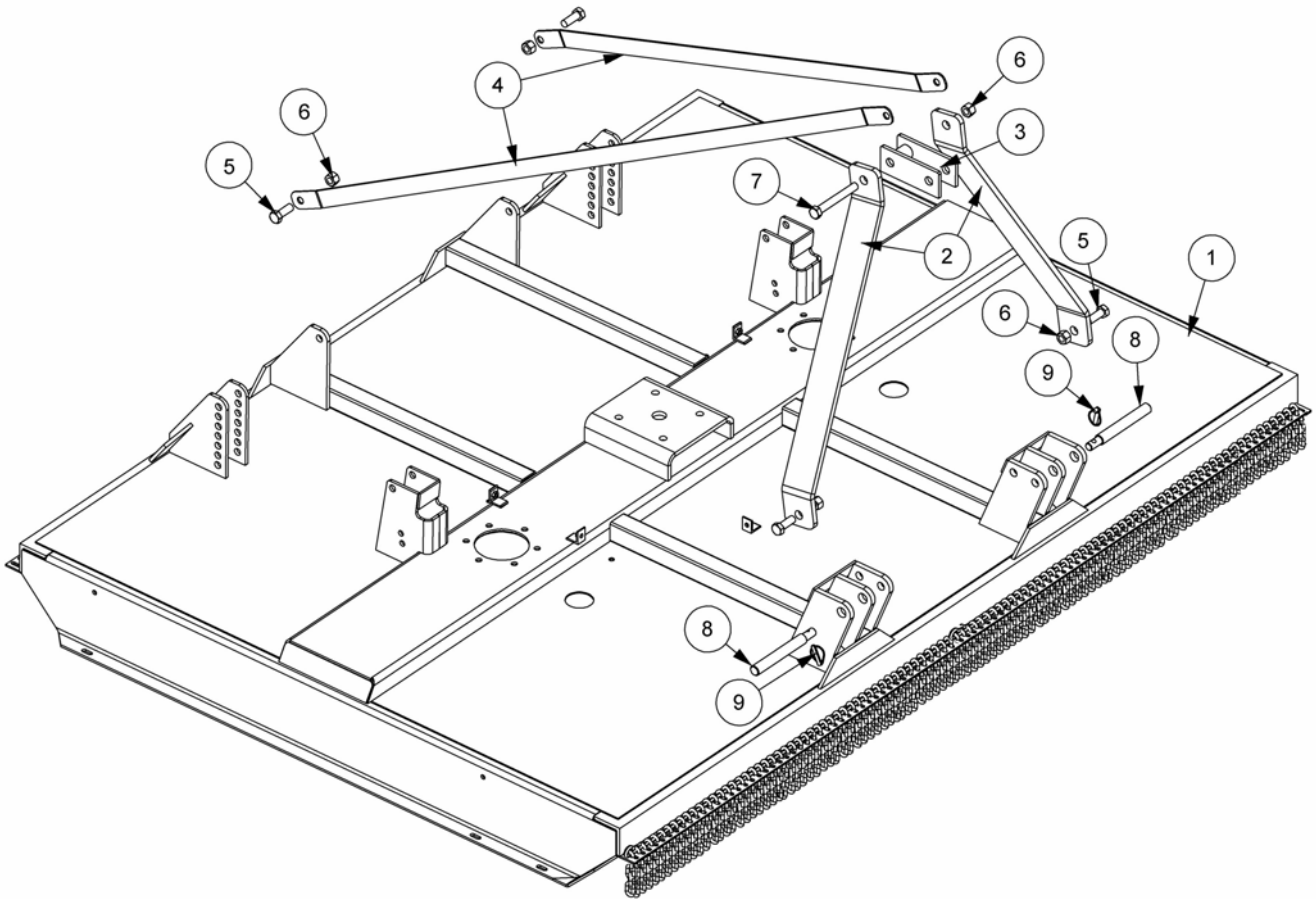
Genuine Parts ~ Quality Service

COMPONENT LOCATION



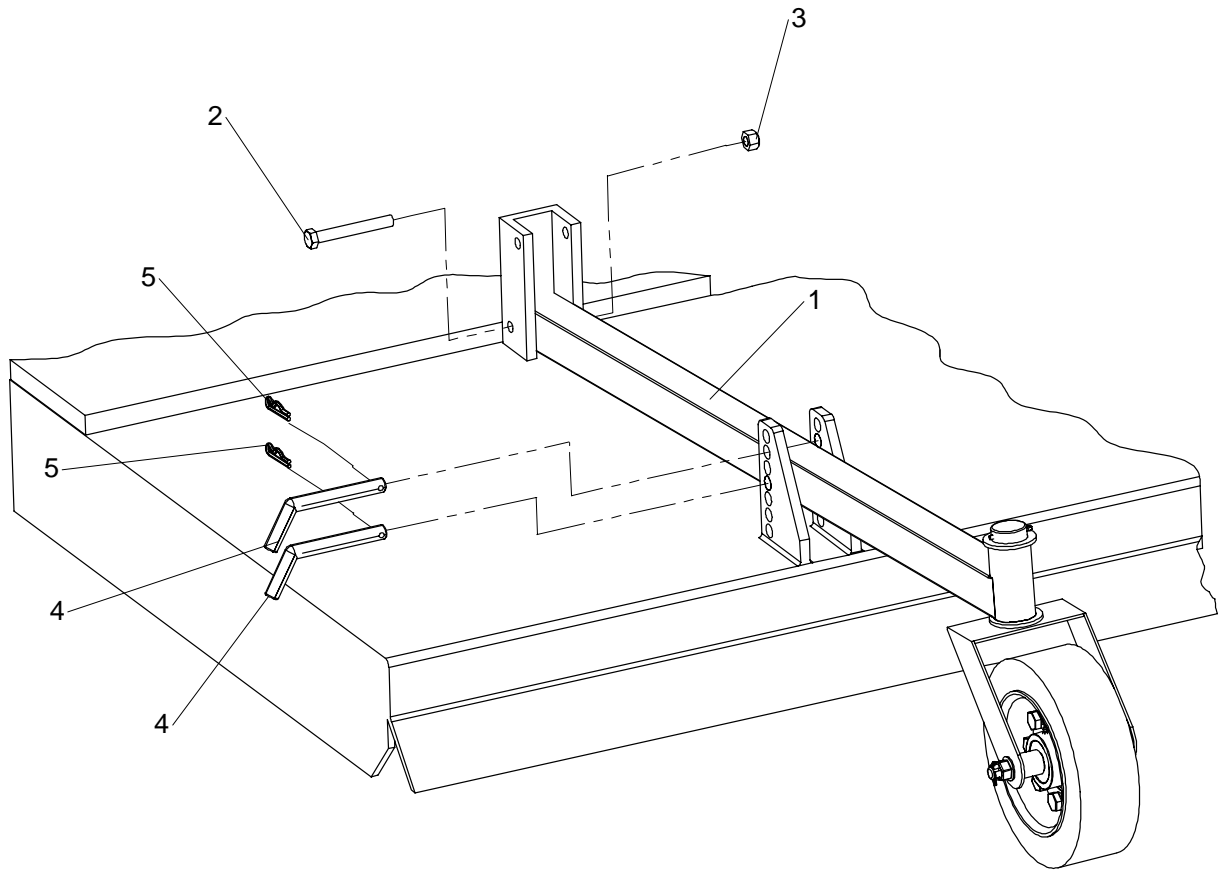
COMPONENT	PAGE No.
A-FRAME	40
TAILWHEEL BOOM	41
CASTER WHEEL	42
MAIN DRIVELINE	44
SLIP CLUTCH	46
GEARBOX (T-BOX)	47
OUTER GEARBOX	48
GEARBOX MOUNTING	50
BLADES	51
GUARD SHIELD	52
CHAINGUARD	54
SKID SHOES	55

A-FRAME ASSEMBLY



REF.	QTY.	PART No.	DESCRIPTION
1	1	1028310	DECK
2	2	00764560	'A' FRAME HALF
3	1	00760959	LINK
4	2	00764568	BRACE
5	4	9313118	BOLT
6	5	9143008	CLEVELOK NUT
7	1	9213328	BOLT
8	2	1028027	LOWER LINK PIN
9	2	0431217	LYNCH PIN

TAILWHEEL BEAM

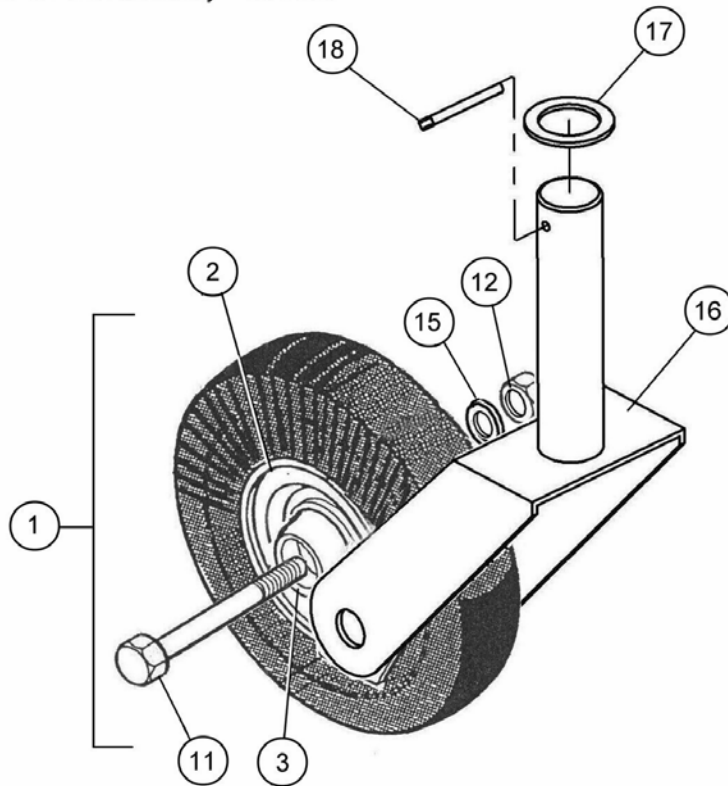


REF.	QTY.	PART No.	DESCRIPTION
1	2	00763808	TAILWHEEL BEAM
2	2	9213247	BOLT M16 x 120
3	2	9143007	CLEVELOK NUT M16
4	4	7192026	PIN
5	4	0431105	R CLIP

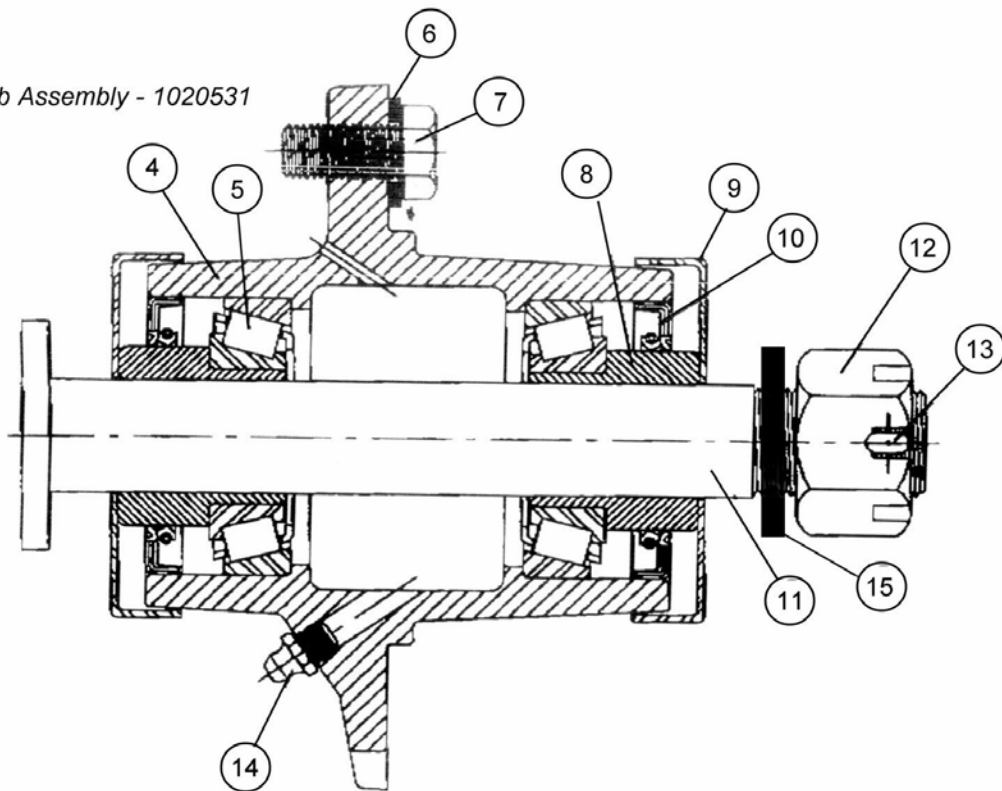
TAILWHEEL – Jan. 2004 onwards

Module:
1028307

Tail Wheel & Fork Assembly - 1028307



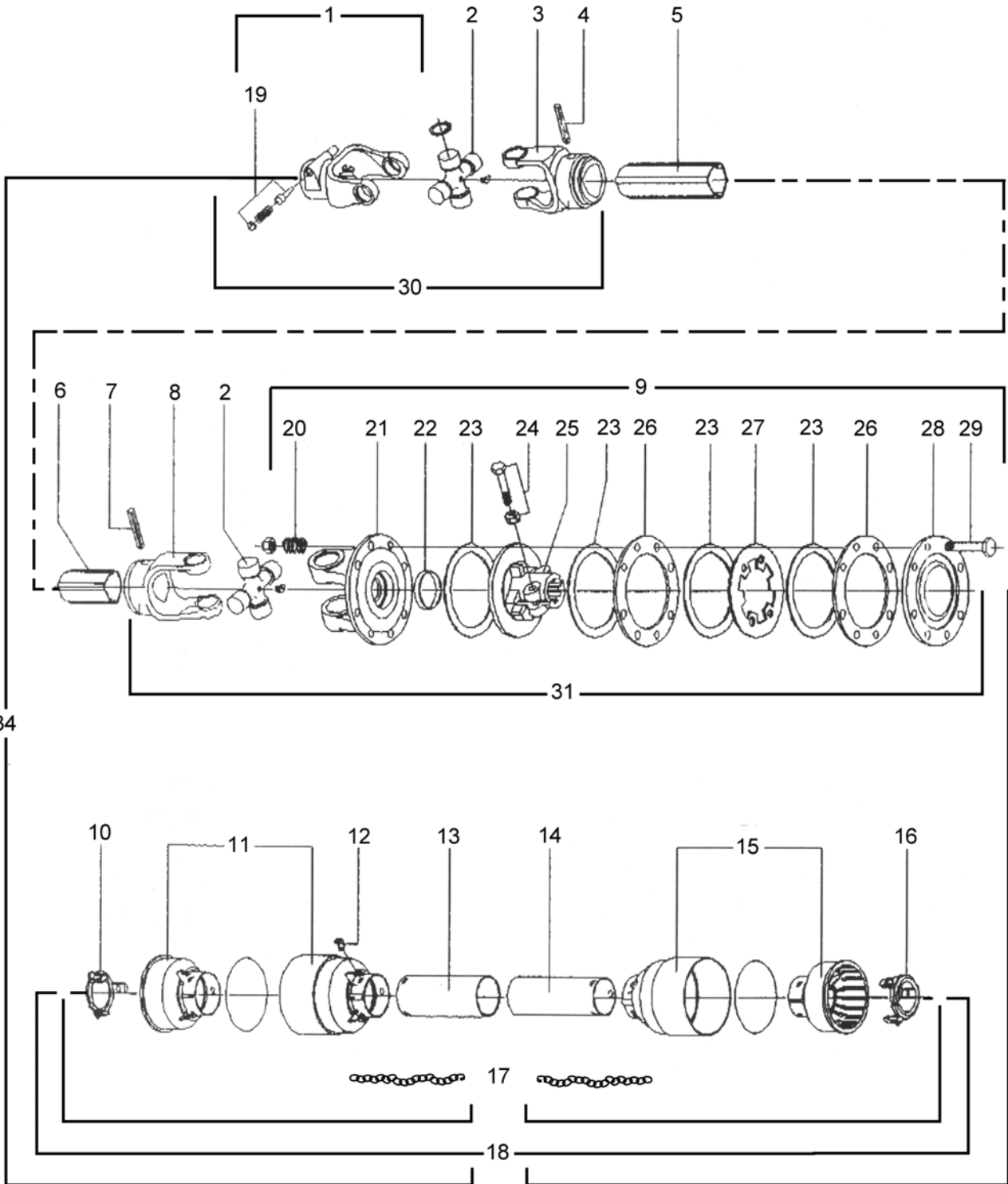
Hub Assembly - 1020531



**TAILWHEEL – Jan. 2004 onwards**

REF.	QTY.	PART No.	DESCRIPTION
		1028307	TAILWHEEL & FORK ASSEMBLY
1	1	1020519	WHEEL ASSEMBLY - <i>comprising of:</i>
2	1	1020532	TYRE & WHEEL ASSEMBLY
3	1	1020531	HUB ASSEMBLY - <i>comprising of:</i>
4	1	1020540	HUB
5	2	1020541	TAPERED BEARING
6	4	1020542	FLAT WASHER
7	4	9313056	HEX HEAD BOLT
8	2	1020543	STEP BUSHING
9	2	1020544	DUST CAP
10	2	1020545	OIL SEAL
11	1	1020546	SPINDLE BOLT
12	1	1020547	SPINDLE NUT
13	1	0503165	COTTER PIN
14	1	1020548	GREASE NIPPLE
15	1	1020550	WASHER
16	1	1028308	CASTER FORK
17	1	1020552	WASHER
18	1	1020551	COTTER PIN

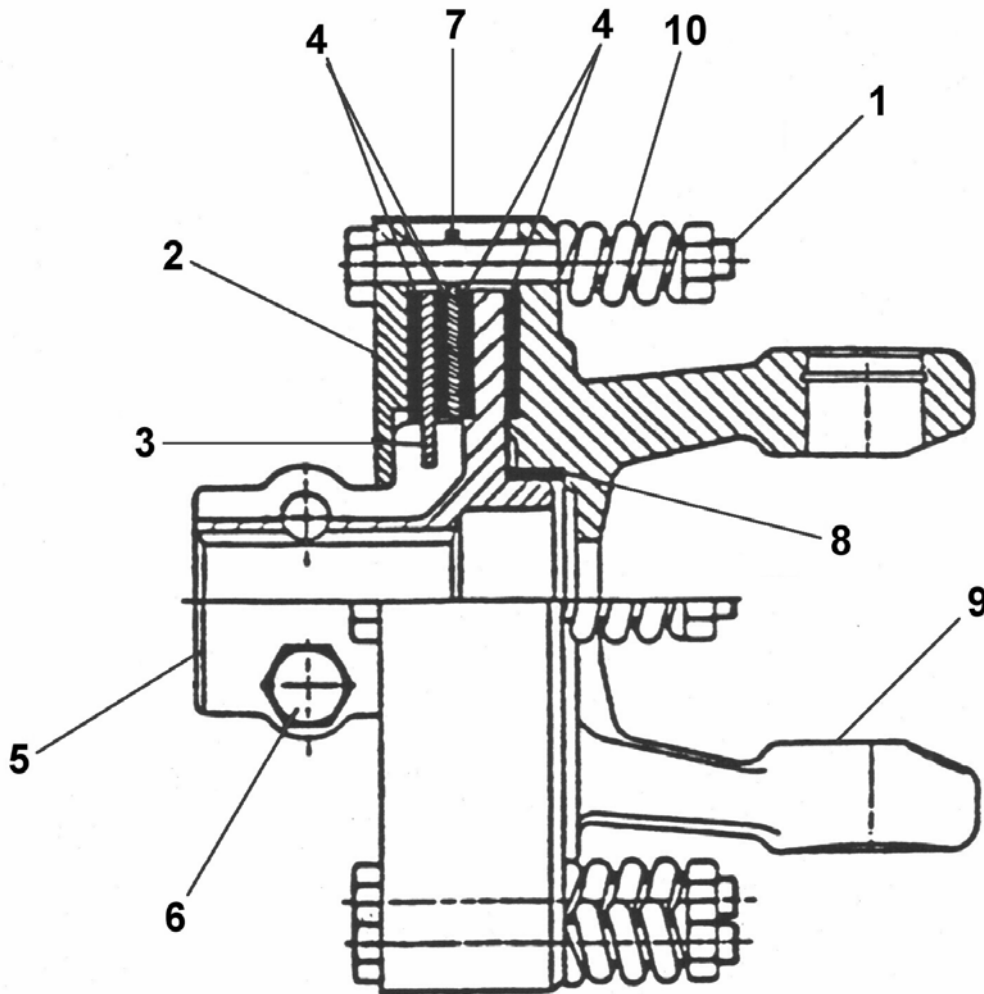
PTO SHAFT ASSEMBLY



**PTO SHAFT ASSEMBLY**

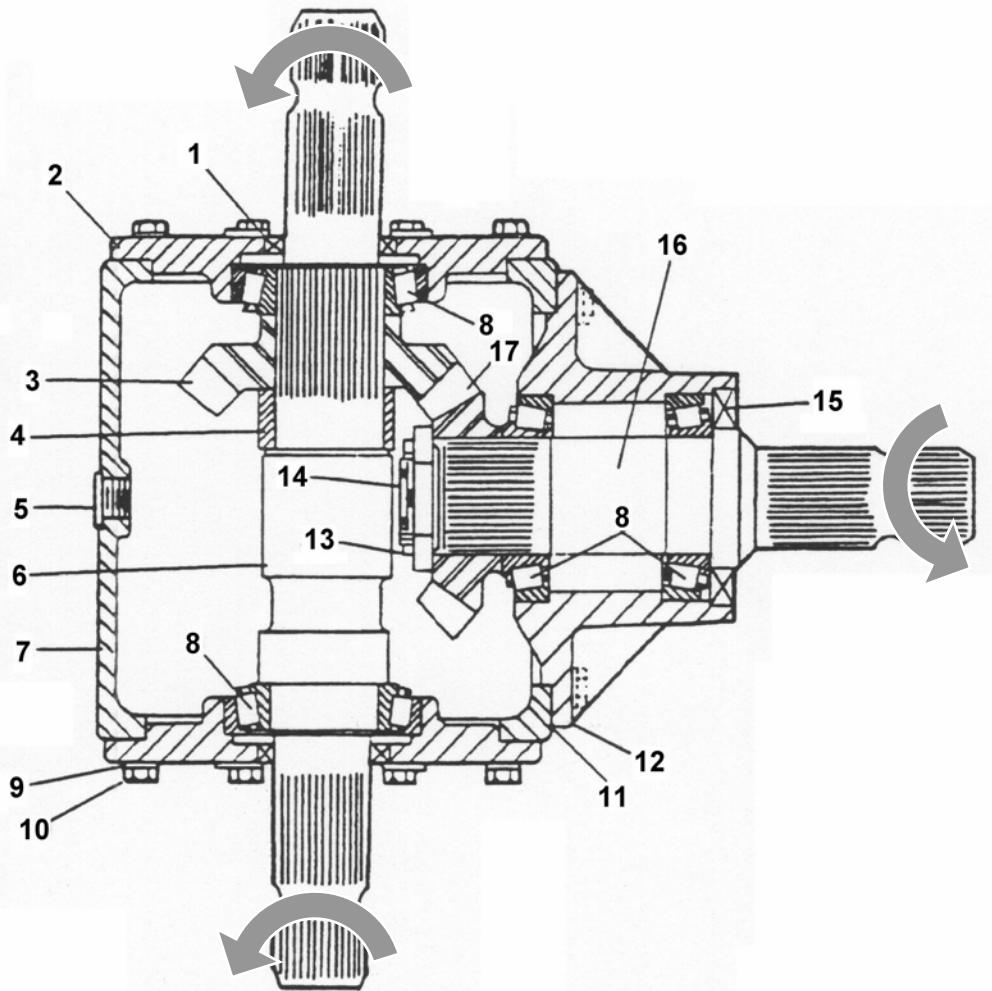
REF.	QTY.	PART No.	DESCRIPTION
		00761322	PTO SHAFT ASSEMBLY
1	1	141.026.001	PUSH PIN YOKE 112
2	2	180.016.130	CROSS JOURNAL SET
3	1	151.016.028	OUTER YOKE
4	1	190.000.018	ROLL PIN - OUTER TUBE
5	1	152.160.211	OUTER TUBE
6	1	159.160.844	INNER TUBE
7	1	190.000.016	ROLL PIN - INNER TUBE
8	1	151.016.029	INNER YOKE
9	1	146.264.014	COMPLETE DISC CLUTCH F45
10	1	180.016.016	GUARD RETAINING COLLAR - OUTER TUBE
11	1	180.036.023	CONE - OUTER TUBE
12	6	190.000.019	BOLT
13	1	156.161.111.7630	OUTER GUARD
14	1	157.161.211.7631	INNER GUARD
15	1	158.035.041	CONE - INNER TUBE
16	1	180.016.015	GUARD RETAINING COLLAR - INNER TUBE
17	2	180.016.025	SAFETY CHAINS
18	1	142.260.019.7630	COMPLETE GUARD c/w INSTRUCTION MANUAL
19	1	166.026.004	PUSH PIN SET
20	8	180.014.022	SPRING
21	1	151.016.037	FLANGED YOKE
22	1	180.019.019	BUSH
23	4	180.019.018	LINING RING
24	2	165.000.503	BOLT M14 x 70
25	1	151.019.009	CLUTCH SUPPORT F45
26	2	180.019.014	INNER PLATE
27	1	180.019.115	INTERMEDIATE PLATE
28	1	180.019.116	PRESSURE PLATE
29	8	165.000.548	BOLT M10 x 100
30	1	121.026.516.10	U-JOINT - OUTER TUBE
31	1	121.026.617.10	U-JOINT - INNER TUBE
32	1	142.261.170.7630	HALF FEMALE GUARD
33	1	142.261.269.7630	HALF MALE GUARD
34	1	123.260.752.10	HALF FEMALE SHAFT c/w GUARDING
35	1	123.260.566.10	HALF MALE SHAFT c/w GUARDING
36	1	190.000.371	INSTRUCTION MANUAL

SLIP CLUTCH ASSEMBLY



REF.	QTY.	PART No.	DESCRIPTION
		00756075A	SLIP CLUTCH ASSEMBLY
1	8	00772528	BOLT AND NUT SET
2	1	00772465	OUTER FLANGE
3	1	00754201	CLUTCH PLATE
4	4	00754202	DISK
5	1	00755599	FRICITION CLUTCH BODY
6	2	00755600	BOLT AND NUT SET
7	1	00754314	PLATE - WITH HOLES
8	1	00754301	BUSH
9	1	00754302	YOKE - FRICTION
10	8	10 28 302	SPRING

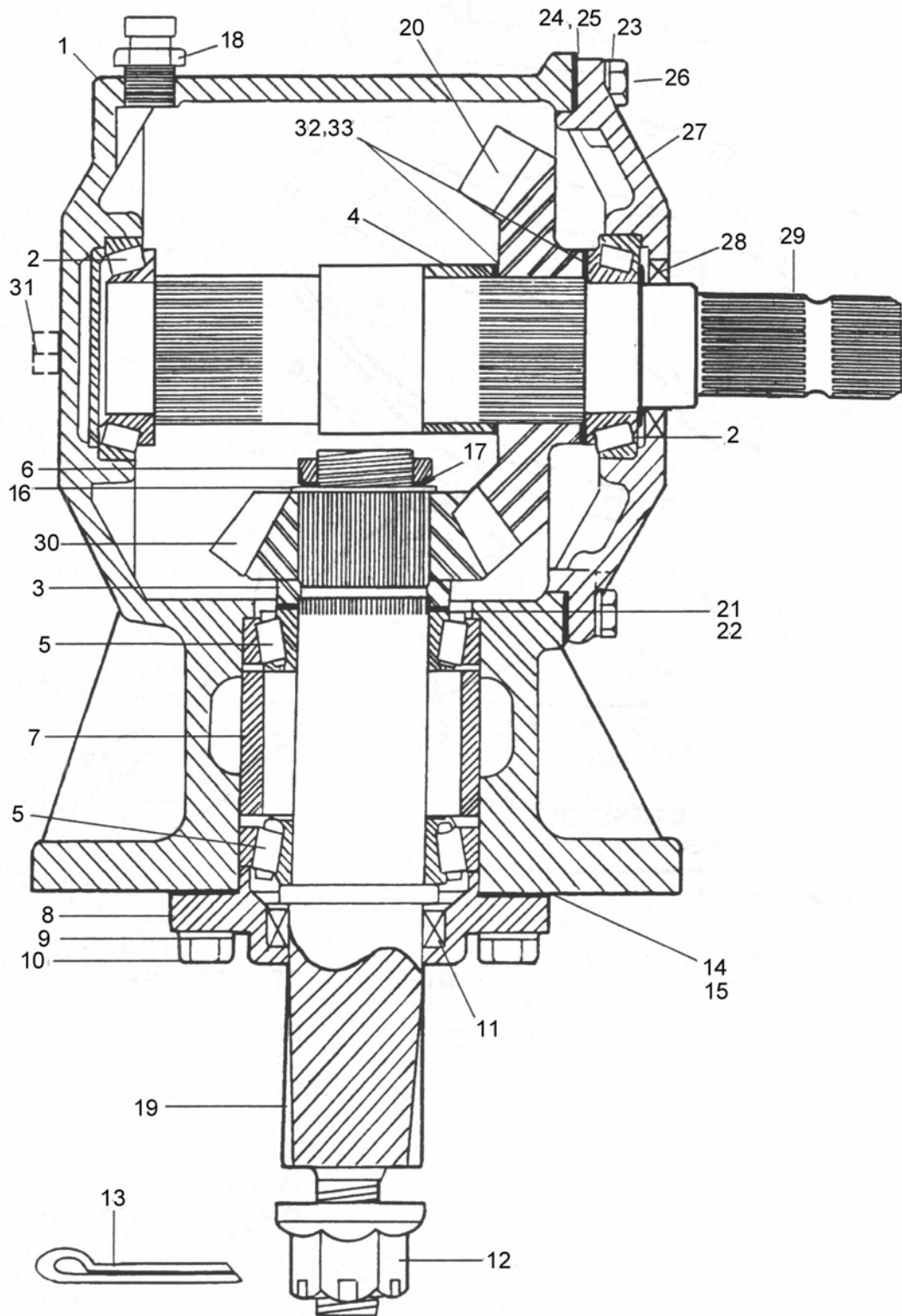
GEARBOX (T-BOX) 540 RPM



REF.	QTY.	PART No.	DESCRIPTION
		1028305	DIVIDER GEARBOX
1	2	00758653	SEAL
2	2	00762516	CAP - SIDE
3	1	00758693	GEAR - 13 TOOTH
4	1	00758657	SPACER
5	2	00762517	PIPE PLUG
6	1	00762518	SHAFT
7	1	1028306	HOUSING
8	4	00755628	BEARING
9	24	00755954	LOCKWASHER
10	24	00758659	BOLT
11	as req'd	00748531	GASKET & SHIM SET * (0.40, 0.25, & 0.30)
12	1	00762520	CAP - HUB INPUT
13	1	00762121	ADJUSTING NUT
14	1	00026200	COTTER PIN
15	1	00762521	SEAL
16	1	00762522	SHAFT
17	1	00758694	GEAR - 19 TOOTH
18	1	00762114	PIPE PLUG - VENTED (not illustrated)

* Shims & Gaskets are Metric dimensions

OUTER GEARBOX ASSEMBLY



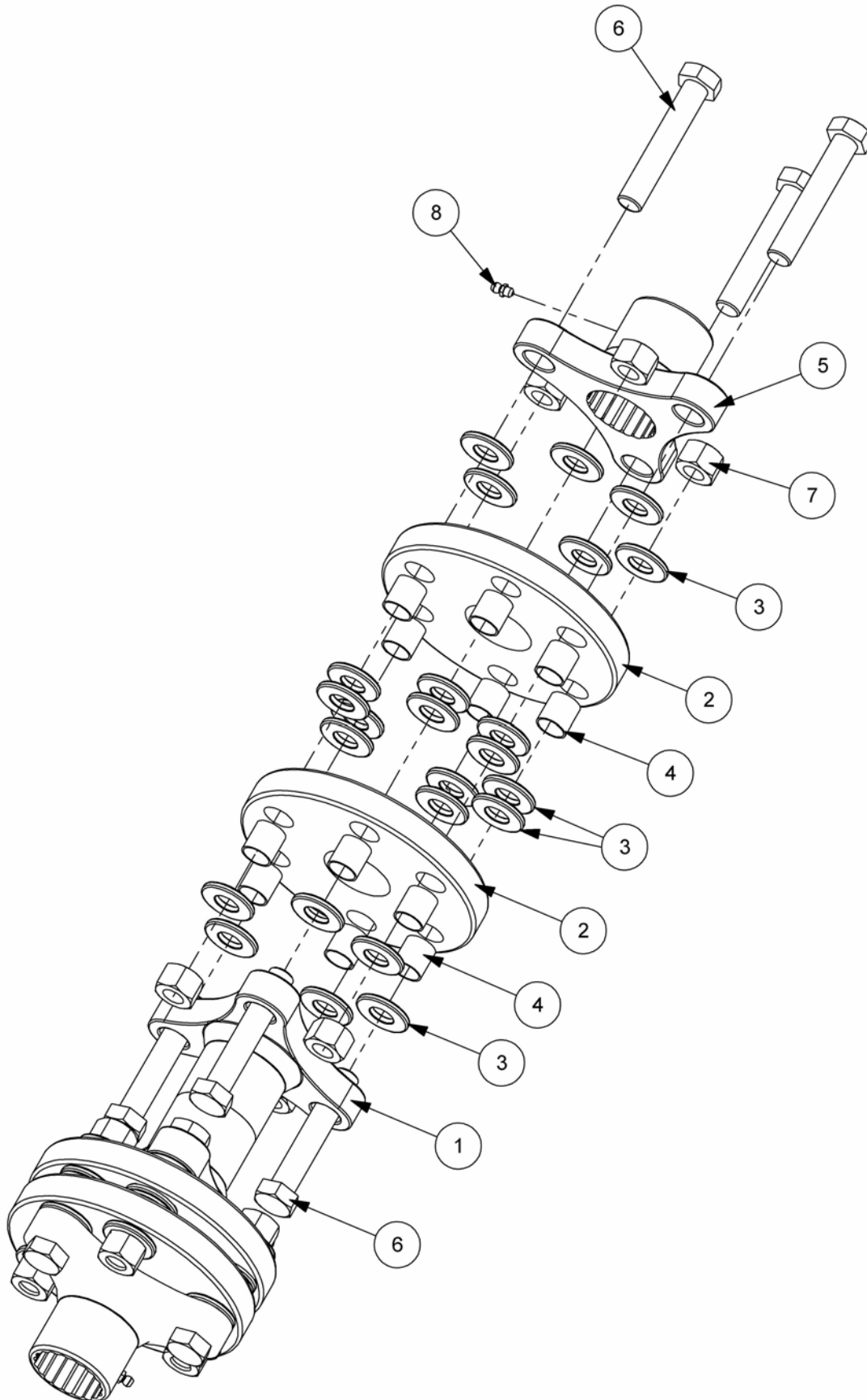

OUTER GEARBOX ASSEMBLY

REF.	QTY.	PART No.	DESCRIPTION
		00759205B	OUTER GEARBOX c/w BREATHER
1	1	00758661	HOUSING
2	2	00758655	BEARING ASSEMBLY
3	1	00759977	GEAR MOUNTING SPACER
4	1	00758657	SPACER
5	2	00755628	BEARING ASSEMBLY
6	1	00759970	BEARING ADJUSTING NUT
7	1	00760889	OUTER BEARING SPACER
8	1	00758663	OUTPUT CAP
9	4	00758672	LOCKWASHER
10	4	00758673	BOLT
11	1	00758674	OUTPUT SHAFT OIL SEAL
12	1	00758692	NUT
13	1	00606000	COTTER PIN
14	2*	00758675	OUTPUT CAP GASKET (.004)
15	1*	00758677	OUTPUT CAP GASKET (.010)
16	1	00760994	FLAT WASHER
17	1	00759971	BEARING NUT LOCKWASHER
18	1	00762114	PRESSURE RELIEF FILL PLUG
19	1	00760892	OUTPUT SHAFT
20	1	00758694	INPUT GEAR (19 TOOTH)
21	1	00758667	GEAR ADJUSTING SHIM (.012)
22	1	00758668	GEAR ADJUSTING SHIM (.020)
23	8	00755954	LOCKWASHER
24	2*	00758646	INPUT CAP GASKET (.004)
25	1*	00758647	INPUT CAP GASKET (.010)
26	8	00758659	BOLT
27	1	00758664	INPUT CAP
28	1	00758653	INPUT SHAFT OIL SEAL
29	1	00758689	INPUT SHAFT
30	1	00758693	OUTPUT GEAR (13 TOOTH)
31	1	00565000	OIL LEVEL PLUG
32	1	00758667	GEAR ADJUSTING SHIM (.012)
33	1	00758668	GEAR ADJUSTING SHIM (.020)

* or as required to fit correctly.

DOUBLE FLEX COUPLER SHAFT

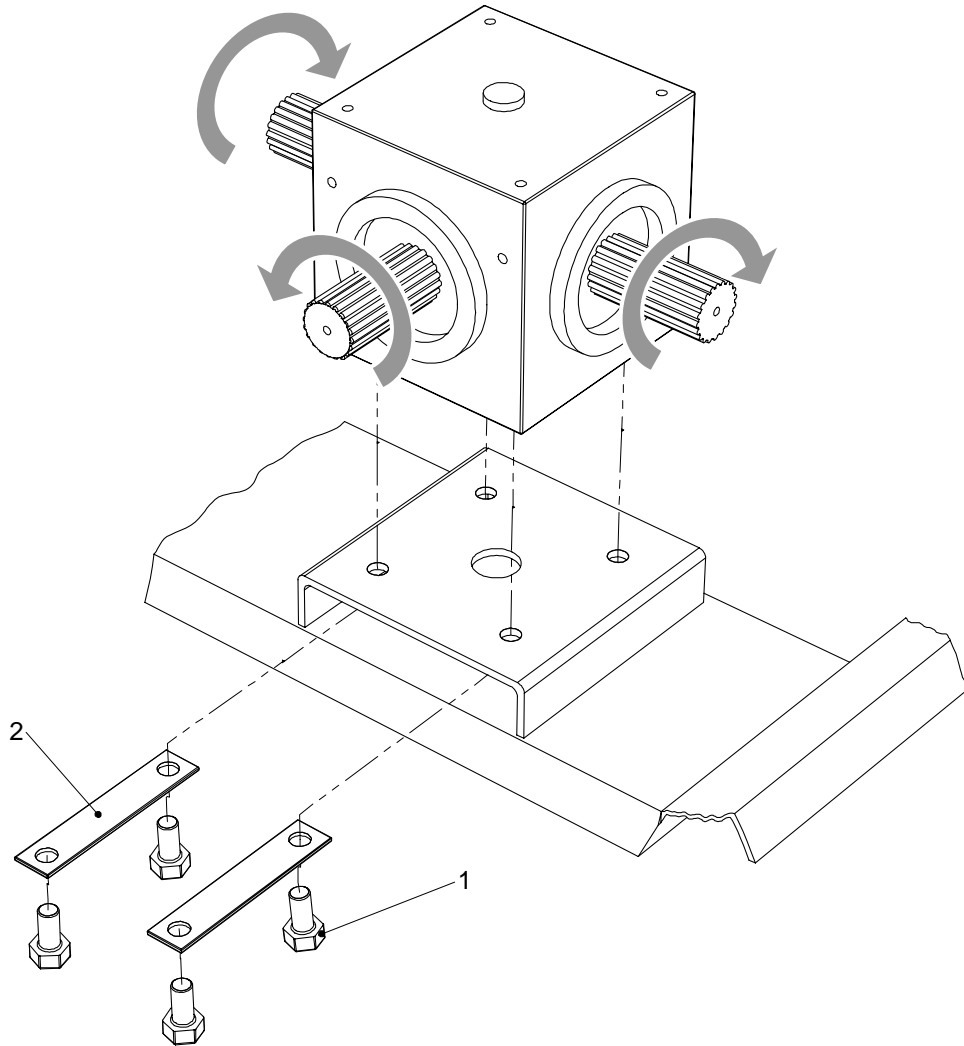
Module:
1028286



**DOUBLE FLEX COUPLER SHAFT**

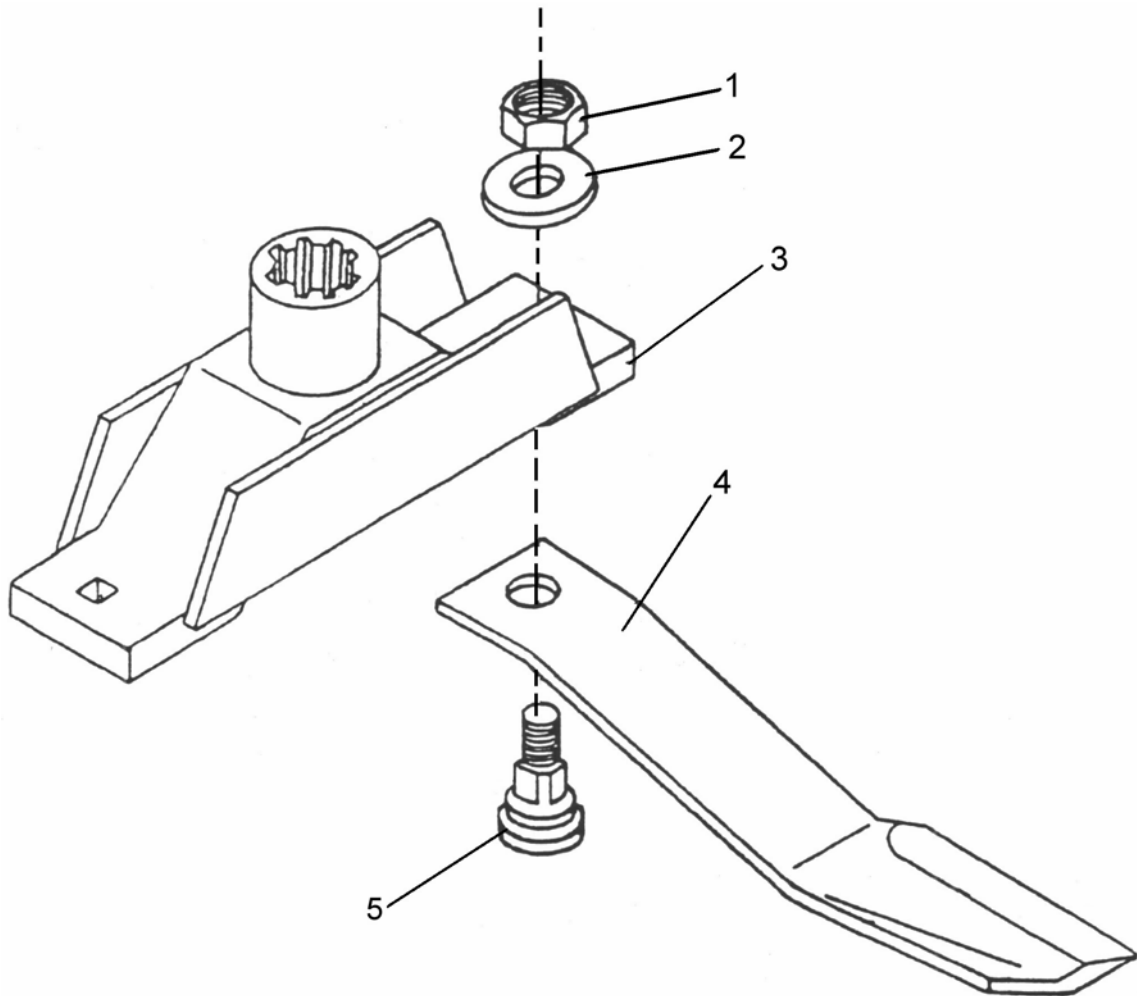
REF.	QTY.	PART No.	DESCRIPTION
		1028286	DOUBLE FLEX COUPLER SHAFT ASSEMBLY
1	1	1028287	DOUBLE FLEX YOKE & TUBE ASSEMBLY
2	4	00762215	FLEX COUPLER RUBBER DISK
3	48	00766475A	FLEX COUPLER SHAPED WASHER
4	24	00771287	FLEX COUPLER BUSHING
5	2	00762216A	FLEX CONNECTOR YOKE
6	12	00765902	HEX HEAD CAP SCREW
7	12	00765962	SELF-LOCKING HEX NUT
8	2	00764306	GREASE NIPPLE

GEARBOX MOUNT PLATE



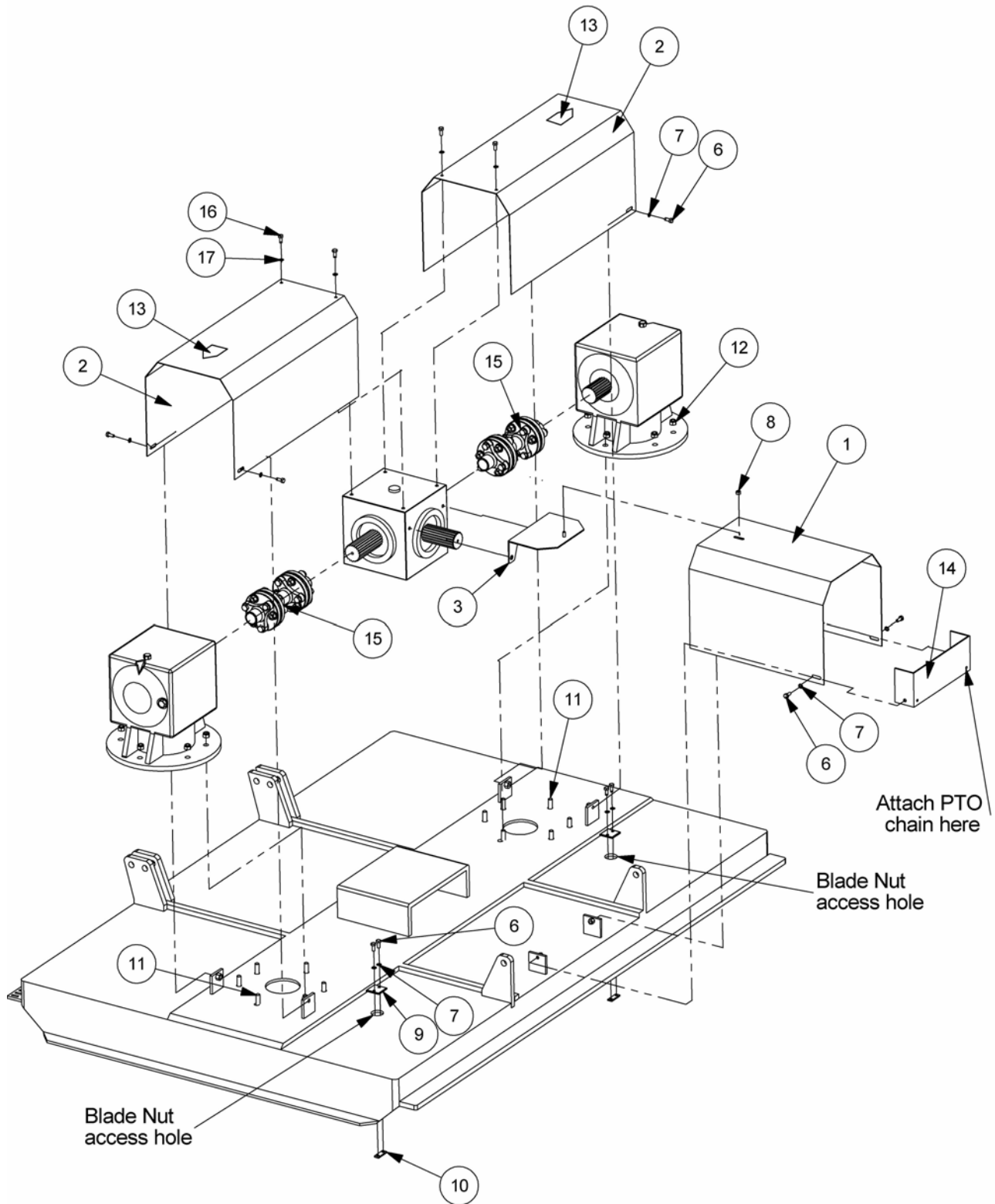
REF.	QTY.	PART No.	DESCRIPTION
1	4	0312127	BOLT
2	2	1028009	TABPLATE

BLADE ASSEMBLY



REF.	QTY.	PART No.	DESCRIPTION
1	2	5JRC16140	LOCKNUT
2	2	9216	WASHER
3	1	00763806	BLADE BAR
4	2	007764492	BLADE (CCW)
	2	007764493	BLADE (CW)
5	2	8251	BLADE BOLT

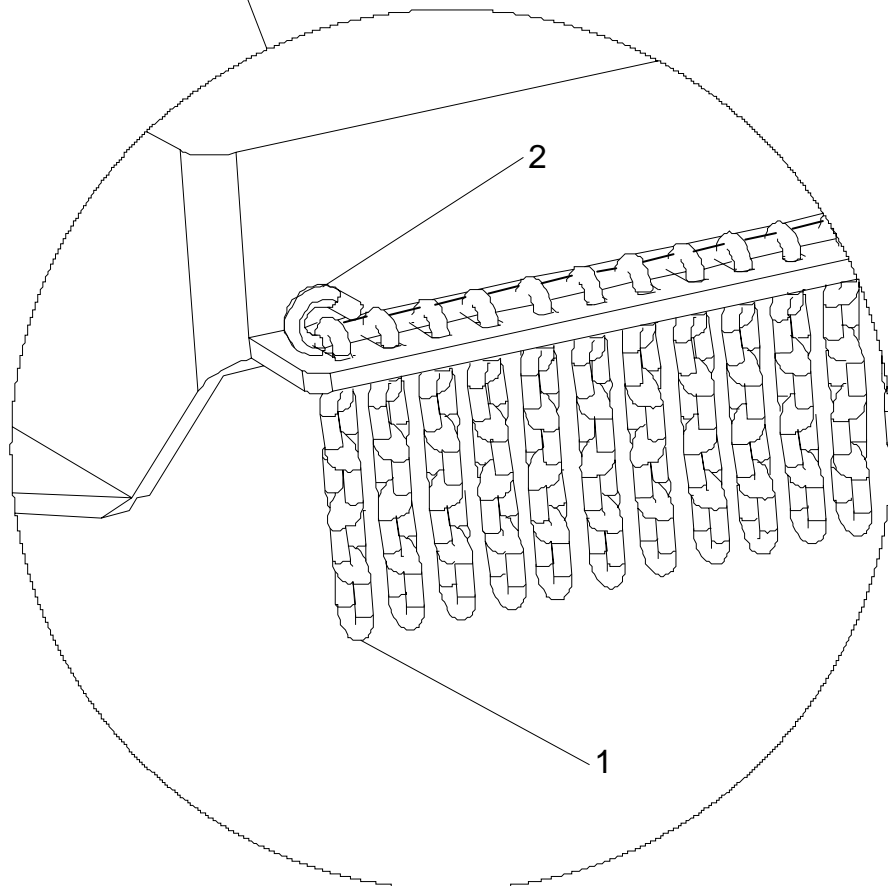
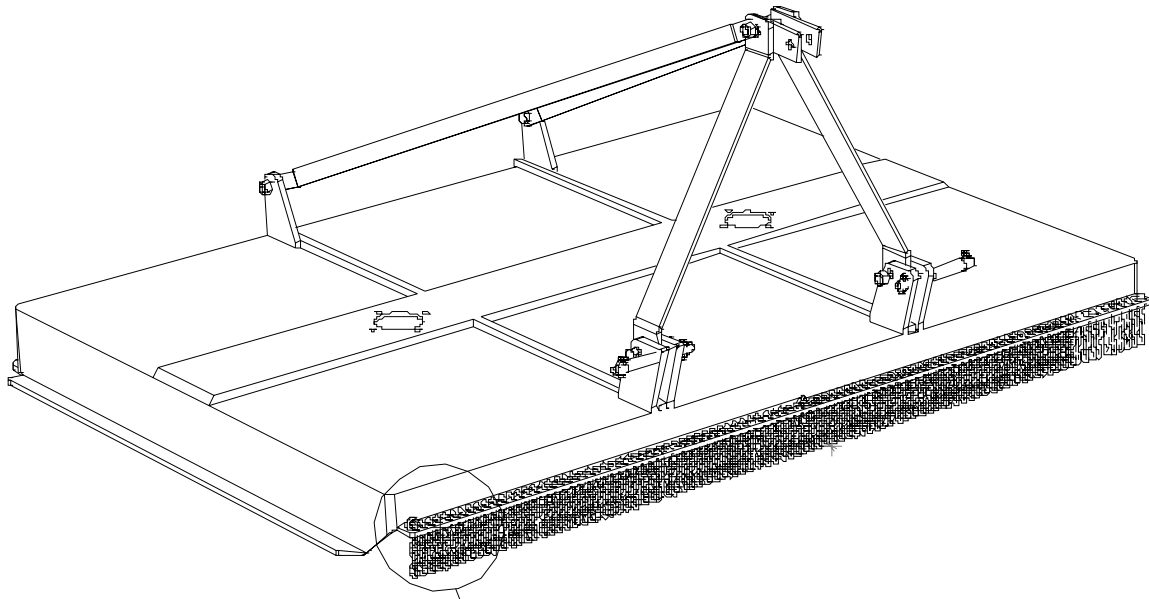
SHIELDS ASSEMBLY



**SHIELDS ASSEMBLY**

REF.	QTY.	PART No.	DESCRIPTION
1	1	1028276	FRONT COVER
2	2	1028272	SIDE COVER
3	1	1028275	CENTRE GUARD BRACKET
4	4	0312085	SCREW
5	4	9100406	SHAKEPROOF WASHER - EXTERNAL
6	6	9313055	HEXAGON SCREW
7	6	9100305	SHAKEPROOF WASHER - INTERNAL
8	1	9143005	CLEVLOK NUT
9	2	1028006	SQUARE COVER
10	2	1028007	TAPPED STRIP
11	12	0211166	HEXAGON BOLT
12	12	0141006	CLEVLOK NUT
13	2	09.810.03	GREASE DECAL
14	1	1028020	UNDER GUARD
15	2	1028286	DOUBLE FLEX COUPLER SHAFT
16	4	0312087	SCREW
17	4	0100207	SPRING WASHER

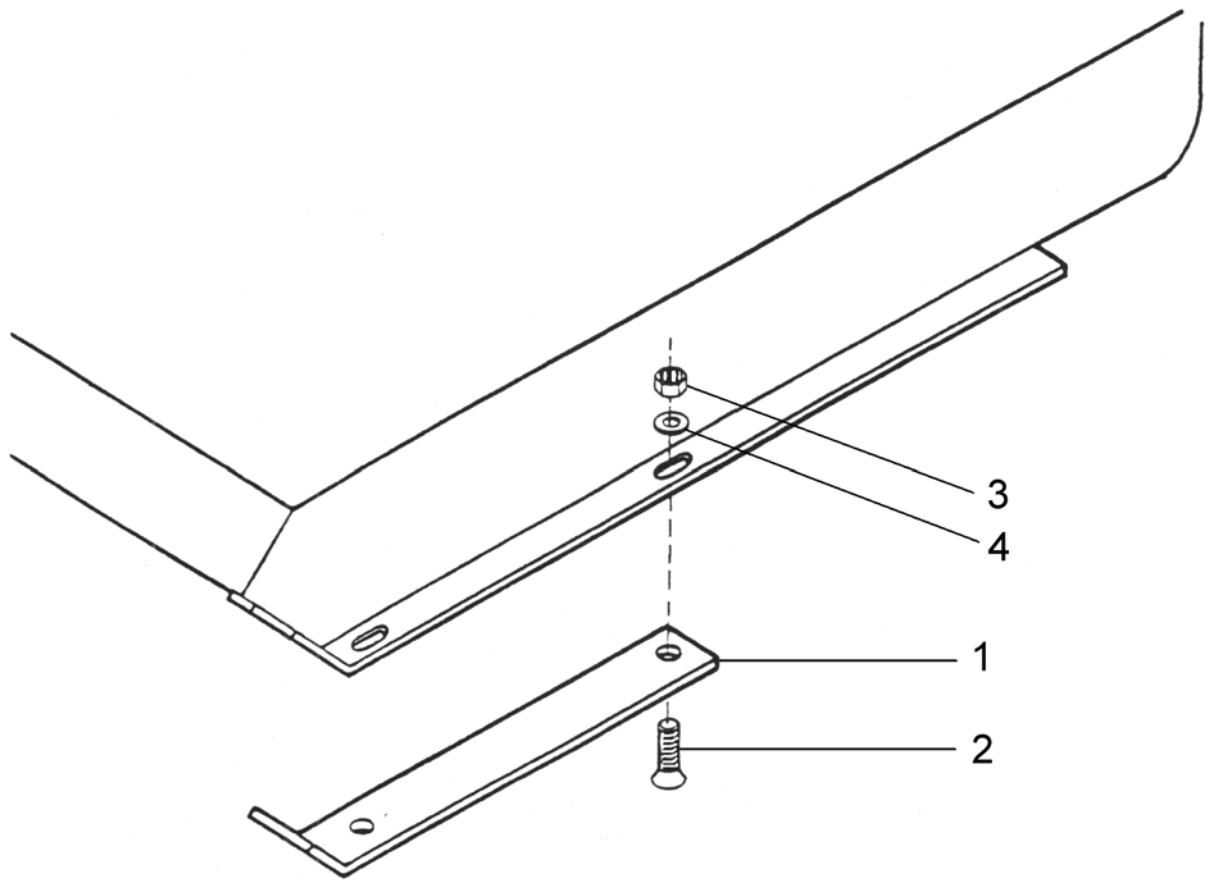
CHAIN GUARD ASSEMBLY



REF.	QTY.	PART No.	DESCRIPTION
1	196	00755090	CHAIN
2	4	00999428	ROD

Quantities for Front and Rear Guards

SKID SHOE ASSEMBLY



REF.	QTY.	PART No.	DESCRIPTION
1	2	8312	SKID SHOE
2	6	9353065	SCREW
3	6	9143005	LOCKING NUT
4	6	9100105	PLAIN WASHER